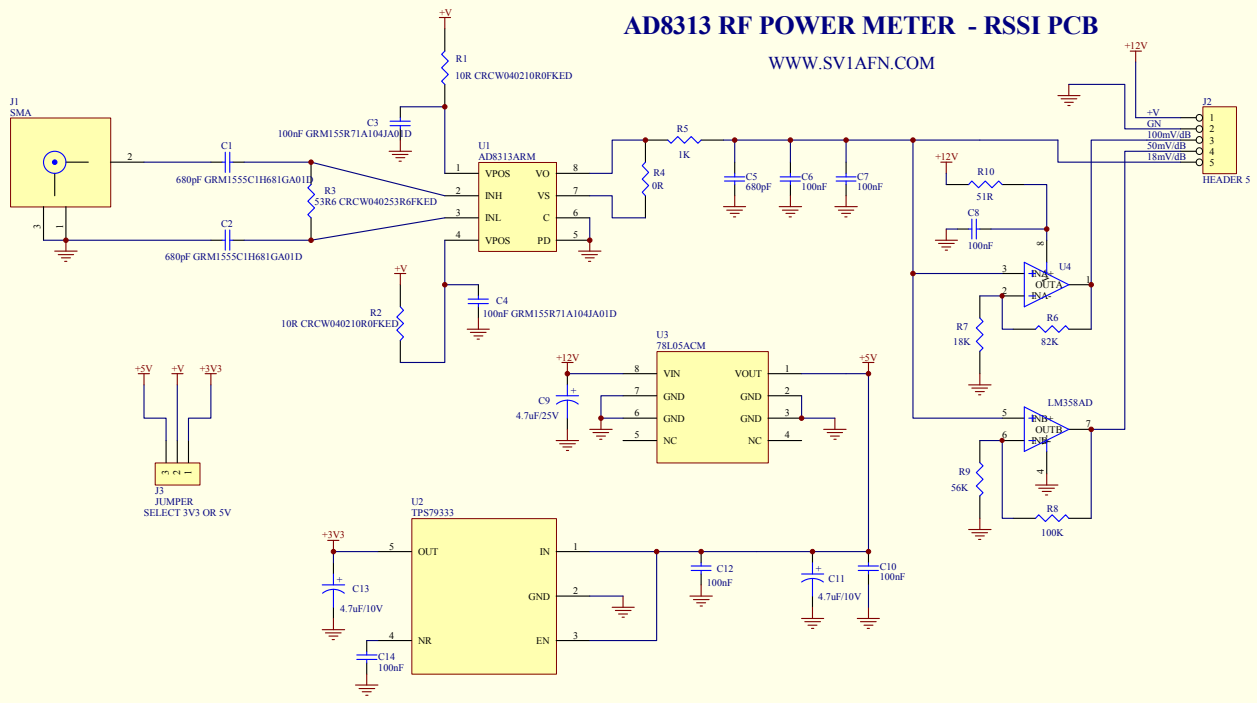


AD8313 RF POWER METER - RSSI PCB

WWW.SV1AFN.COM



J3
JUMPER
SELECT 3V3 OR 5V

J2
HEADER 5

