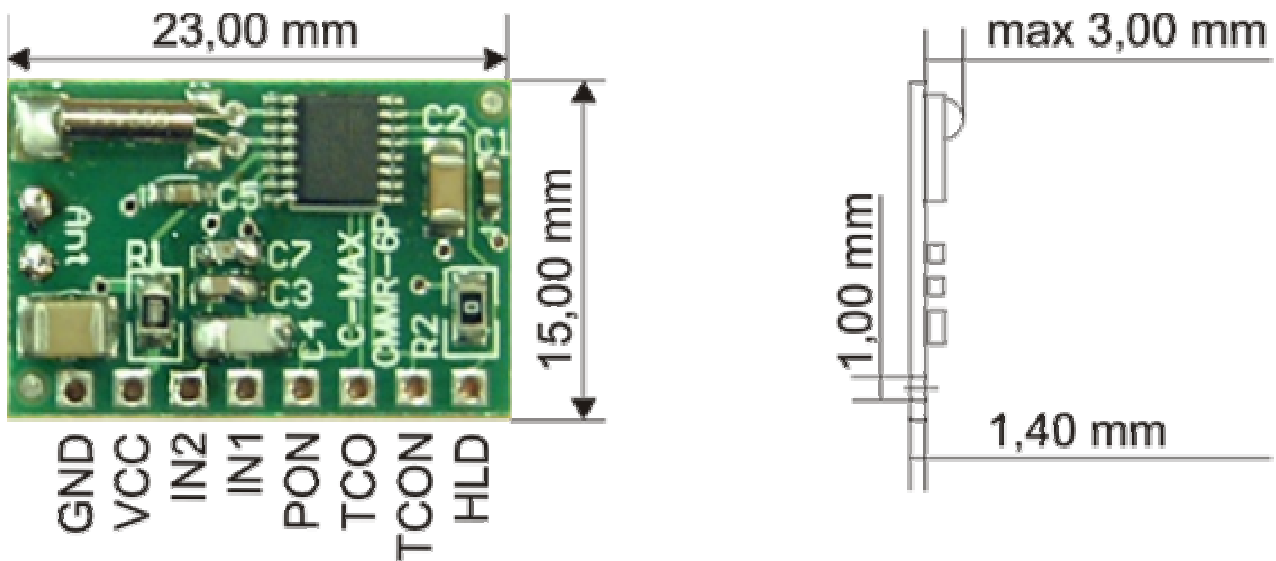


DESCRIPTION

Together with the ferrite antenna, the receiver module CMM6 forms a complete receiver unit for radio controlled signals of single or dual frequencies 40kHz, 60kHz and 77.5kHz. For individual part numbers please refer to technical data below.

1.1 Dimension



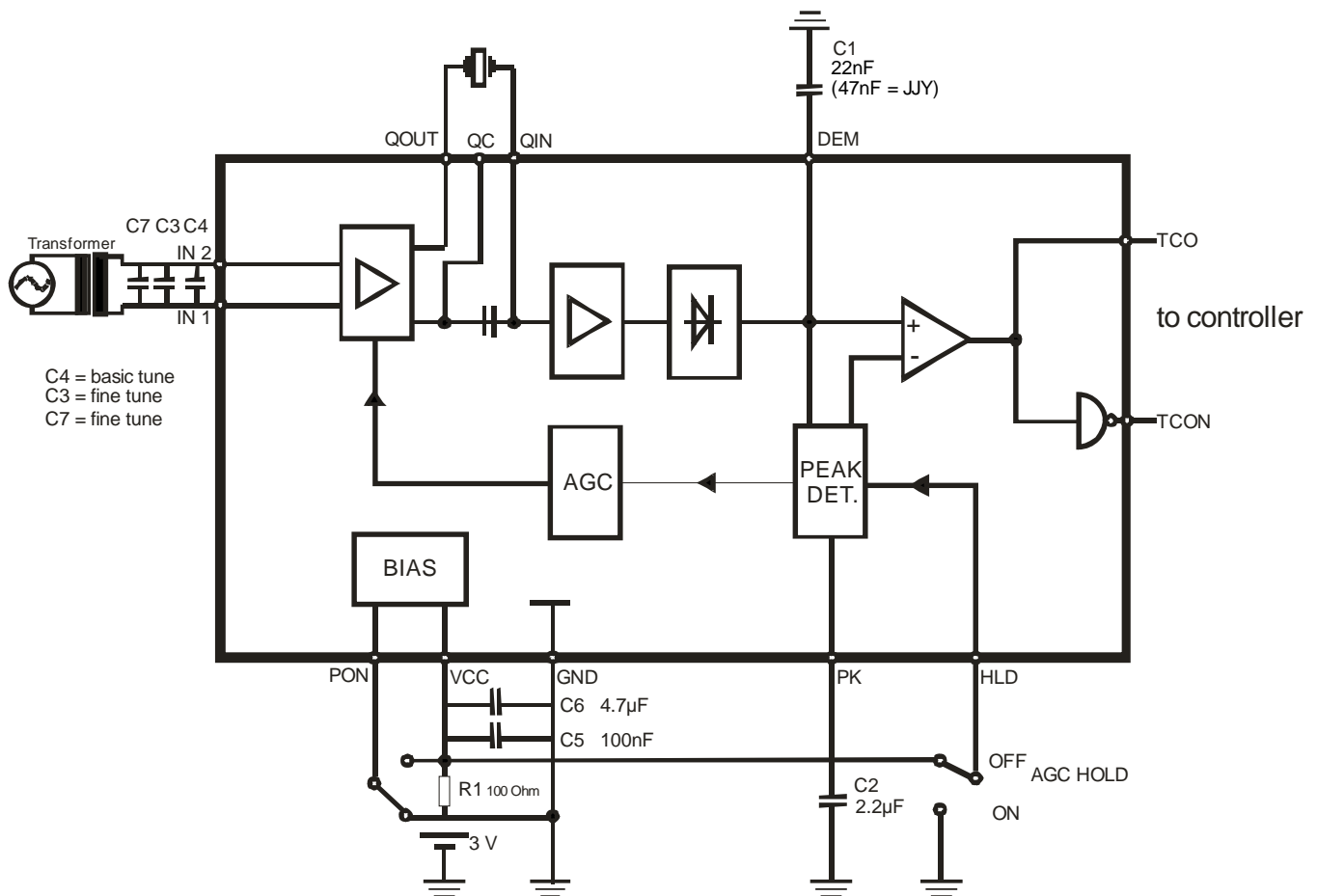
1.2 Pinning

Pin connection to CME6005	Remarks
GND	Ground of the module
VCC	Power supply to module
IN2	Antenna input 2
IN1	Antenna input 1
PON	Power on, must be connected to GND externally to switch on module
TCO	Positive output signal
TCON	Inverted output signal
HLD	AGC HLD control pin, is connected to VCC on the PCB for external control by a MCU remove R2.

1.3 Technical data

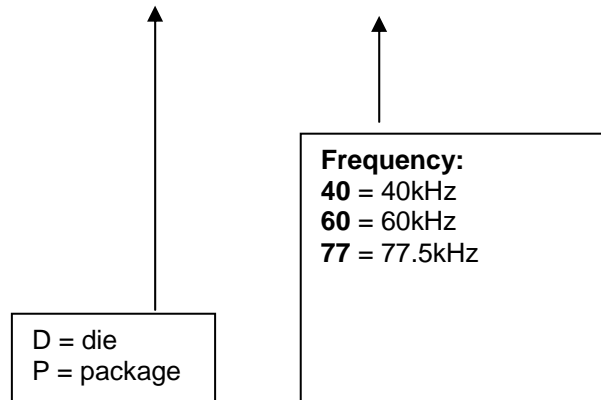
Part Number	CMMR-6P-40	CMMR-6P-60	CMMR-6P-77
Receiver Carrier Frequency	40 kHz	60 kHz	77.5 kHz
Operating Voltage	1.2 V – 5.5 V	1.2 V – 5.5 V	1.2 V – 5.5 V
Current consumption at 3.0 V	< 100 uA	< 100 uA	< 100 uA
Quiescent current in standby mode	0.5 uA	0.5 uA	0.5 uA
Operating temperature range	-40°C to +85°C	-40°C to +85°C	-40°C to +85°C
Start up time	<3.5 s	<3.5 s	<3.5 s
Receiver sensitivity			
- direct feed in via IN1 & IN2	< 0.6 uV	< 0.6 uV	< 0.6 uV
- via 60mm antenna* connected at IN1 & IN2	< 30 uV/m	< 30 uV/m	< 30 uV/m
* antenna inductance with wire Ø0.23	2.33 mH	1.5 mH	1.92 mH
Output pulse widths tolerance	< ± 35 ms	< ± 35 ms	< ± 35 ms

1.4 Circuit diagram



1.5 Ordering information

CMMR – 6P – 40



Note: Please indicate IC version (d = die, p = package) and frequency as shown above.

Disclaimer of Warranty

Information furnished is believed to be accurate and reliable. However C-MAX assumes no responsibility, neither for the consequences of use of such information nor for any infringement of patents or other rights of third parties, which may result from its use. No license is granted by implication or otherwise under any patent or patent rights of C-Max. Specifications mentioned in this publication are subject to change without notice. This publication supersedes and replaces all information previously supplied. C-MAX products are not authorized for use as critical components in life support devices without express written approval of C-MAX.

Note

It is not given warranty that the declared circuits, devices, facilities, components, assembly groups or treatments included herein are free from legal claims of third parties.

The declared data are serving only to description of product. They are not guaranteed properties as defined by law. The examples are given without obligation and cannot given rise to any liability.

Reprinting this data sheet - or parts of it - is only allowed with a license of the publisher.

C-MAX reserves the right to make changes on this specification without notice at any time.

C-MAX Time Solutions GmbH

Carl-Zeiss-Str. 13
74078 Heilbronn

Tel.: +49-7066-900400

Fax: +49-7066-9004029

e-mail: contact@c-max-time.com

Data sheets can also be retrieved from our Internet homepage: www.c-max-time.com